

ELEVAH[®] E5 Picking

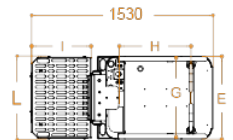
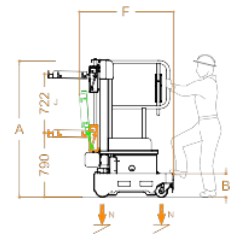


EN 3691-1



ELEVAN[®] 5 picking

Max. working height	5,15 m	
Max capacity	200 kg	
Number of people	1	
Use	Internal - External	
A	Closed machine height	1690 mm
B	Min. height from the ground*	289 mm
C	Maximum platform height	3150 mm
D		1540 mm
E	Base overall dimensions	700 mm
F		1152 mm
G	Cage dimensions	685 mm
H		600 mm
Machine weight	640 kg	
Drive wheels dimension	Ø 186 x 60 mm	
Swivel wheels dimensions	Ø 150 x 40 mm	

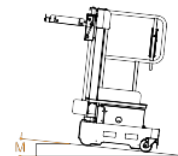
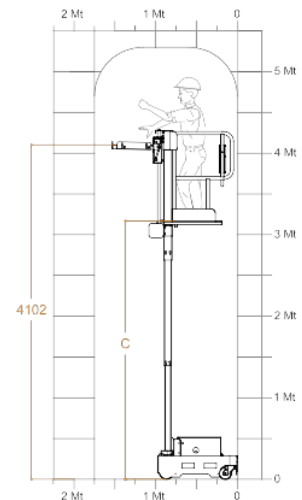


PICKING PLATFORM

I	Dimensions	500 mm
L		680 mm
Adjustment		Electrical
J	Stroke	722 mm
Min. height from the ground		790 mm
Maximum height from the ground		4102 mm
Capacity		100 kg

PERFORMANCE

Power supply	Electrical 24 V	
Batteries	2 Trojan Lead-Acid 12V 105 Ah	
Battery charger	115V – 230V 50/60HZ	
M	Maximum climbing ability	15%
Climbing ability at height		2,5%
Internal turning radius		0
External turning radius		1050 mm
Max. speed (rising – descending)		0,2 m/s
Maximum speed (with basket on the ground)		5,5 km/h
N	Maximum pressure for wheel at full load**	2,9 kN
Work cycles (with fresh batteries) ***		100



* There is an intermediate step.

** Maximum pressure whereas the weight of the platform plus the maximum load on the basket are completely distributed on one side of the platform (totally asymmetric load).

*** By work cycle we mean a self-propelled movement of 20 m with a full ascent to and descent from the maximum height and with adjustment of the loading platform.

CE Complies with European regulations for man-up forklift trucks. UNI EN ISO 3691-1.